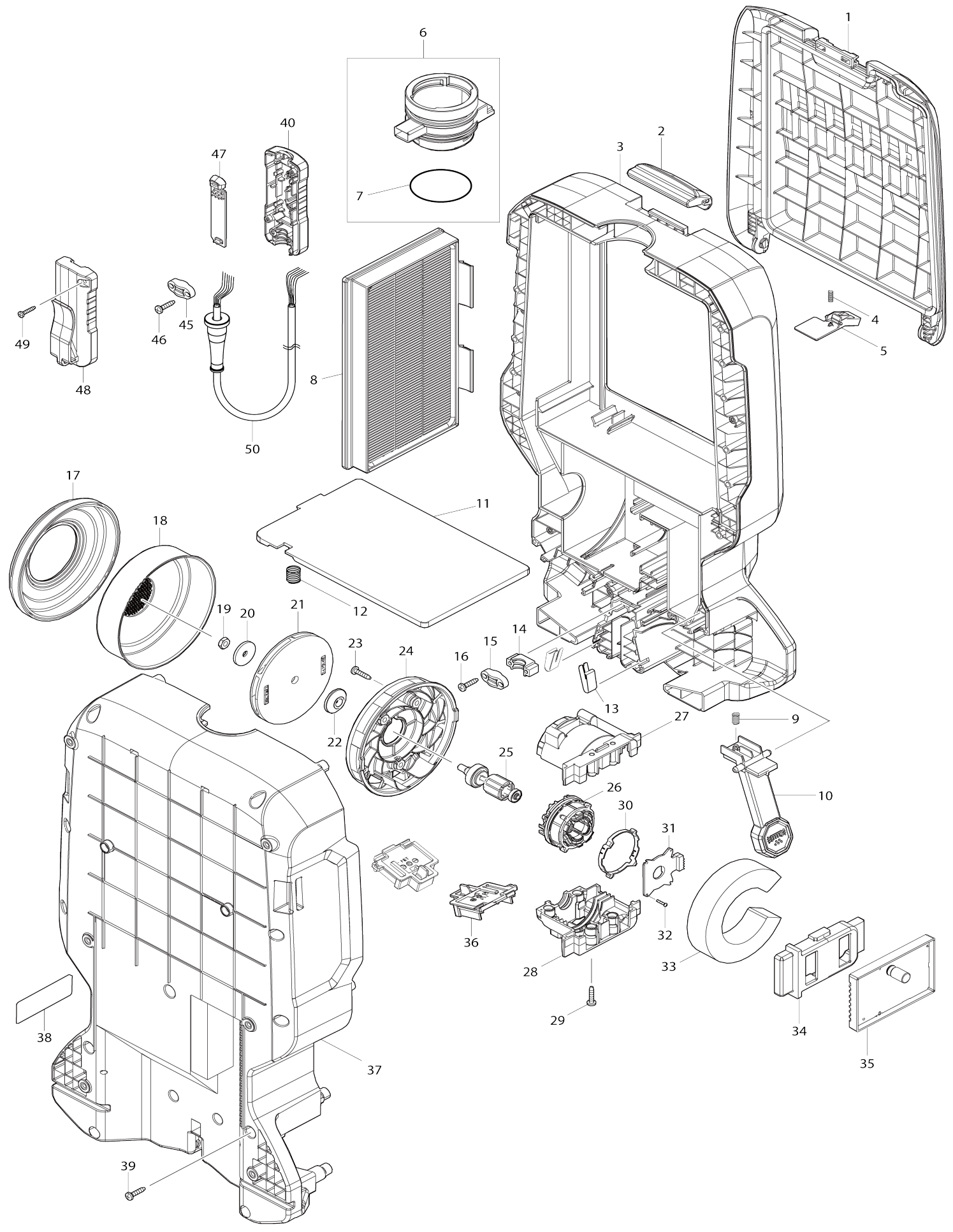
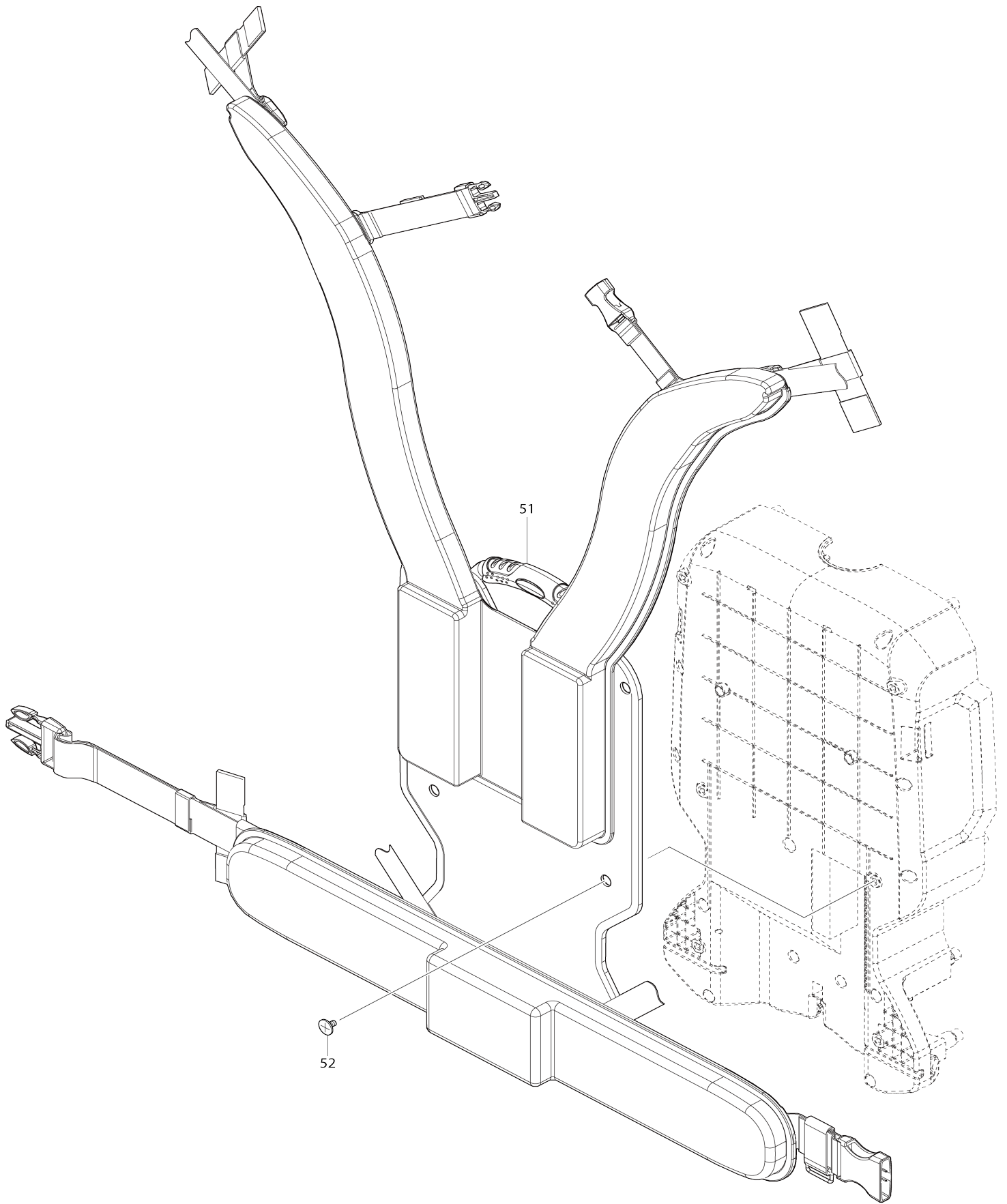


Model No.DVC660 DC BACKPACK VACUUM CLEANER



Model No.DVC660 DC BACKPACK VACUUM CLEANER



Model No.DVC660 DC BACKPACK VACUUM CLEANER

Item No.	Parts No.	Description
001	140P97-4	DUST BOX COVER COMPLETE
C10	422536-3	SEAL A
002	127480-6	LATCH ASSEMBLY
003	140P91-6	UPPER HOUSING COMPLETE
C10	422534-7	BAND DAMPER D
C20	422550-9	BAND DAMPER A
004	232389-0	COMPRESSION SPRING 5
005	459912-8	STOPPER PLATE
006	135771-1	INLET ASS'Y
006		INC. 7
007	213655-4	O RING 56
008	191D12-9	MAIN FILTER H SET
009	232588-4	COMPRESSION SPRING 6
010	140P99-0	LEVER 100 COMPLETE
011	459913-6	PLATE
012	234141-2	COMPRESSION SPRING 12
013	232267-4	LEAF SPRING
014	687051-6	STRAIN RELIEF
015	687123-7	STRAIN RELIEF
016	266326-2	TAPPING SCREW 4X18
017	422376-9	SUPPORT RING
018	161804-6	FAN COVER
019	252268-6	HEX. NUT M6
020	322407-3	WASHER 6
021	241851-4	FAN 94
022	313062-2	FLANGE
023	266326-2	TAPPING SCREW 4X18
024	456736-3	FAN BASE
025	619517-8	ROTOR
025-1	619517-8	ROTOR
026	629381-9	STATOR
027	183D13-1	MOTOR HOUSING SET
027		INC. 28
028	183D13-1	MOTOR HOUSING SET
028		INC. 27
029	266326-2	TAPPING SCREW 4X18
030	687464-1	SUPPORT
031	620526-2	CONTROLLER B
032	266786-8	+ PAN HEAD TAPPING SCREW 2X 10
033	422370-1	BAND DAMPER C
034	424837-5	SUPPORT A
035	620C52-9	CONTROLLER
036	644809-6	TERMINAL
037	140P93-2	LOWER HOUSING COMPLETE
C10	422535-5	BAND DAMPER E
C20	422551-7	BAND DAMPER B
038	856K43-4	DVC660 NAME PLATE

039	266326-2	TAPPING SCREW 4X18
040	183K74-3	SWITCH CASE SET
C10	818F86-4	SWITCH LABEL
040		INC. 48
045	687123-7	STRAIN RELIEF
046	266326-2	TAPPING SCREW 4X18
047	620525-4	SUB CONTROLLER
048	183K74-3	SWITCH CASE SET
C10	818F86-4	SWITCH LABEL
048		INC. 40
049	266130-9	TAPPING SCREW BIND PT 3X16
050	699136-6	POWER SUPPLY CORD UNIT
050-1	699136-6	POWER SUPPLY CORD UNIT
051	162700-1	HARNESS
052	265008-3	+ FLAT HEAD SCREW M5
A01	199453-9	HOSE COMPLETE 32-1.0 SET
A02	166116-2	HOSE BAND
A03	191C26-2	FILTER BAG SET
A04	197901-2	FLEXIBLE RUBBER NOZZLE SET E U
A05	127082-8	NOZZLE ASSEMBLY
A06	140G19-0	TELESCOPIC PIPE COMPLETE
A07	140G26-3	BENT PIPE COMPLETE
F02	191C26-2	FILTER BAG SET
F10	192236-6	TAPERED NOZZLE SET
F13	195545-2	FRONT CUFF 38 SET
F14	195546-0	FRONT CUFF 24 SET
F15	195547-8	FRONT CUFF 22 SET
F16	195548-6	JOINT 22-38 SET
F17	195549-4	T-NOZZLE ASSY A SET(DRY)38
F18	195551-7	T-NOZZLE SET 38
F19	191C30-1	DUST BAG SET
F20	191D12-9	MAIN FILTER H SET
F28	198184-7	F/C SWITCHING T-NOZZLE 38
F32	198533-8	F/C SWITCHING T-NOZZLE 38 EU
F33	198537-0	SHELF BRUSH SET28 IVO EU
F34	191496-7	FLEXIBLE HOSE SET28(IVO)
F36	198552-4	ROUND BRUSH SET 28 IVO
F39	198560-5	TELESCOPIC PIPE SET 28 EU
F42	198868-7	FLEXIBLE HOSE SET28(WHI)
F44	198873-4	SHELF BRUSH SET28 WHI
F46	198878-4	ROUND BRUSH SET 28 WHI
F48	198919-6	LONG SASH NOZZLE SET 28 WHI
F51	198990-0	LONG SASH NOZZLE SET 28 BLU
F53	198992-6	LONG SASH NOZZLE SET 28 BLK
F55	199038-1	SEAT NOZZLE SET 28 WHI
F56	199039-9	SEAT NOZZLE SET 28 BLK
F58	199041-2	SEAT NOZZLE SET 28 BLU
F63	199491-1	CYCLONE ATTACHMENT SET
F65	199439-3	CREVICE NOZZLE 415 SET
F68	199843-6	PIPE 465 COMPLETE SET
F69	199844-4	JOINT PIPE 465 SET

F70	191B15-1	CLEANING WAND SET
F78	191E30-3	FLEXIBLE HOSE SET(LOCK)
F80	191D80-2	STRAIGHT PIPE SET 320
F86	191M77-5	JOINT A 32 SET
F87	191M78-3	JOINT B 35 SET
F88	191M79-1	JOINT C 38 SET
F89	191Y84-0	DUST BAG SET
F96	1914Y6-9	ROTARY BRUSH NOZZLE SET
F97	1914Y7-7	ROTARY BRUSH NOZZLE SET
F99	1914A7-9	ANGLE ATTACHMENT SET
G09	1912G4-5	TELESCOPIC PIPE COMPLETE SET
G10	1912G5-3	BENT PIPE COMPLETE SET